



Calibration
certificate

LV 120 – LV 130

Vane probe thermo-anemometer

New
CE



Functions

- Air velocity and ambient temperature
- Selection of units
- HOLD function
- Minimum and maximum values
- Automatic average
- Airflow calculation
- Airflow calculation with cone
- Adjustable automatic shut-off
- Adjustable backlight
- Detection of flow direction

Technical features

Measuring elements.....	Vane anemometer : Hall effect sensor Ambient temperature : Pt100 class A
Display.....	4 lines, LCD technology. Sizes 50 x 34.9 mm. 2 line of 5 digits with 7 segments (value) 2 line of 5 digits with 16 segments (unit)
Housing.....	Shock-proof made of ABS, IP54 protection
Keypad.....	Metal-coated with 5 keys
Conformity.....	electromagnetical compatibility (NF EN 61326-1 guideline)
Power supply.....	1 alkaline battery 9V 6LR61
Operating temperature (instrument).....	from 0 to 50°C
Storage temperature.....	from -20 to +80°C
Auto shut-off.....	adjustable from 0 to 120 min
Weight.....	300 g
Languages.....	French, english



2 references :

- **LV 130 - Ø 100 mm vane probe** – Fixed and rotating
Vane probe rotation : +180° / -90° increments of 90 °



- **LV 120 - Ø 100 mm vane probe** – fixed and non-rotating

Specifications

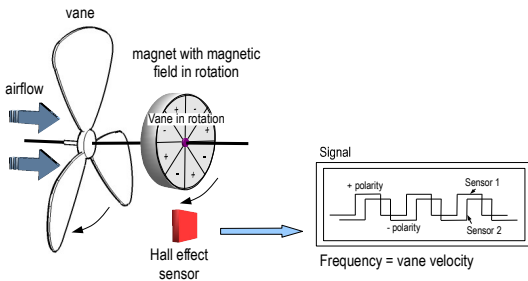
Measuring units	Measuring ranges	Accuracy*	Resolutions
AIR VELOCITY			
m/s, fpm, Km/h	from 0.25 to 3 m/s from 3.1 to 35 m/s	±3% of reading ±0.1m/s ±1% of reading ±0.3m/s	0.01 m/s 0.1 m/s
AIR FLOW			
m³/h, cfm, l/s, m³/h	from 0 to 99999 m³/h	±3% of reading ±0.03 *area(cm²)	1 m³/h
AMBIENT TEMPERATURE			
°C, °F	from 0 to +50°C	±0.4% of reading ±0.3°C	0.1°C

*All accuracies indicated in this document were stated in laboratory conditions and can be guaranteed for measurements carried out in the same conditions, or carried out with required compensation.

Working principle

Anemometer : Hall effect sensor

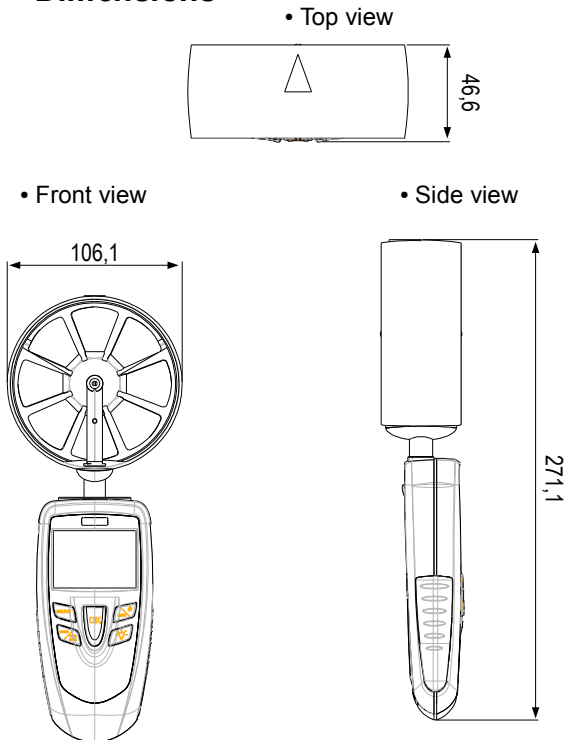
Rotation of the shaft of the vane powers a circular magnet of 8 poles. A dual Hall effect sensor, placed next to the magnet senses the signals of magnetic field polarity transition. The sensor signal is converted to electrical frequency and is proportional to the air velocity. Signal chronology allows the detection of rotation direction.



Thermometer : Pt100 probe

Pt100 is a resistance with a positive temperature coefficient which varies according to the temperature. The higher the temperature is, the more the value of the resistance increases. i.e. : for 0°C ≈ 100 Ω - for 100°C ≈ 138,5 Ω.

Dimensions



Supplied with ...

- Supplied with
- Option

DESCRIPTION	LV 120	LV 130
Ø 100 mm vane probe	●	
Moving Ø 100 mm vane probe		●
Air flow cone K25 - K85	○	○
Calibration certificate*	●	●
Transport case	●	●

*except class 100S

Accessories (See related datasheet)

K 25 – K 85	CE 100
Air flow cone (See related datasheet)	Protective cover with magnet and holding system

Warranty period

Instruments have 1-year guarantee for any manufacturing defect (return to our After-Sales Service required for appraisal).

www.kimo.fr

EXPORT DEPARTMENT

Tel : + 33. 1. 60. 06. 69. 25 - Fax : + 33. 1. 60. 06. 69. 29

e-mail : export@kimo.fr



Distributed by : **PRC Technologies Corp.,Ltd.**

Tel : 02 530 1714, 02 530 1619, 02 530 2621

Fax : 02 530 1731

info@prtechth.com www.prtechth.com